



CLAVIS Deutschland GmbH
Grüner Weg 38
34117 Kassel

Telefon: +49 (0)561 988 499-0
E-Mail: info@tresore.eu
Internet: www.tresore.eu
www.tresorschloss.de



SWINGLOX

Installation Manual

V5



Content

Read first

- 10 Application
- 11 Basics,
 Technical Notes Lock
- 12 Technical Notes Keypad

Installation

- 13 Installation Procedure
 Step 1
- 15 Installation Procedure
 Step 2

Application



Products are designed for highest demands and maximum reliability. Application and installation recommendations and our comprehensive consulting service provide support for the choice of our products.



High security locks of the 4.17.11 series are intended for use on doors of secure storage units. Responsibility for verification and suitability for the respective application resides with the user!

Changes to the products lead to the loss of the VdS* approval and any guarantee and warranty claims.

*VdS: German independent testing institution

Read first

Lock installation

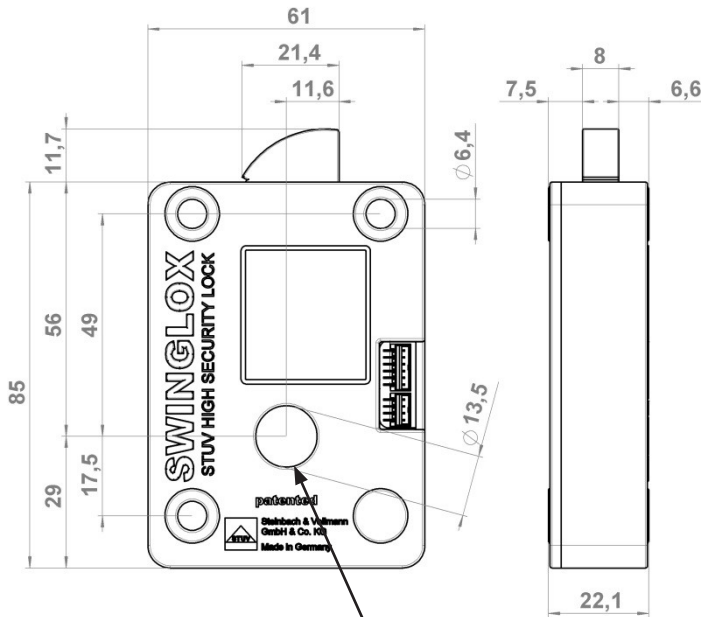
Basics:

The precise position and mounting of the locking mechanism play a major role in the correct functioning of the lock. The locking mechanism must be aligned precisely in both horizontal and vertical position. The lock can be mounted locking to the right, left, top or bottom, resting on the front or back.

Technical notes lock:

Bolt head dimensions (mm)	Swing bolt 21,4 x 8 x 11,7 (Fig. 1)
Bolt stroke	swings in completely
Mounting screws lock	Cylinderhead screw DIN EN ISO 4762 - M6x30-8.8 or alternatively 3 cylinder-head screws BSW 1/4 x 30 mm. The screw-in depth must comply with the valid standards.
Cut out	see Fig. 1
Tightening torque	6 Nm
Screw securing	A screw securing must be provided by means of safety washers or liquid screw locking devices. The screw-in depth must comply with the valid standards.
Bolt mechanism connection	Ensure that the bolt head is not subjected to load in the closed position (for example, tension in the opening direction). Under no circumstances should it exceed 2,5 N. Otherwise the lock can not be unlocked.
Lock protection	<p>The safe must consist of a steel construction. It must be suitable to protect the lock against tapping, e.g. by using manganese steel, or knocking off, e.g. sufficiently secured by supporting the lock case.</p> <p>The safe must be constructively designed in such a way that there is no access to safety-relevant parts of the lock for unauthorized persons with the door open.</p>
Cable position	In order to realize the cable connection between lock and fitting, a hole in the door of the safe is necessary. The max. permissible bore diameter is 11.5 mm. If the lock may need to be mounted behind this hole, it must correspond to the cable entry hole in the lock.
Lock resilience	Adequate clearance of the bolt in locking operation must be ensured. No additional bars, brackets or similar accessories may be attached to the bolt. Transverse forces or frictional forces on the lock must be avoided by design measures. The blocking force in the opening direction is tested with 1 kN. Higher locking forces must be absorbed by constructive solutions.
Function in combination with another lock	If another lock is placed on the bolt mechanism, make sure that the swing bolt lock is always locked first. Check the correct sequence of locking of both locks.

Fig. 1



Cable entry instead of a keyhole

Technical notes keypad:

Mounting screws
for the base plate

Self-tapping screw DIN 7500 Form C M4 x 25
(Cheese-head screws according to DIN 7985)

Cut out

see Fig. 5

Tightening torque

2,7 Nm

Installation

Installation procedure Step 1

If the connection cable from the lock to the keypad is guided through a hole into the interior of the safe, a suitable drilling position, which corresponds to the VdS guidelines, must be defined.

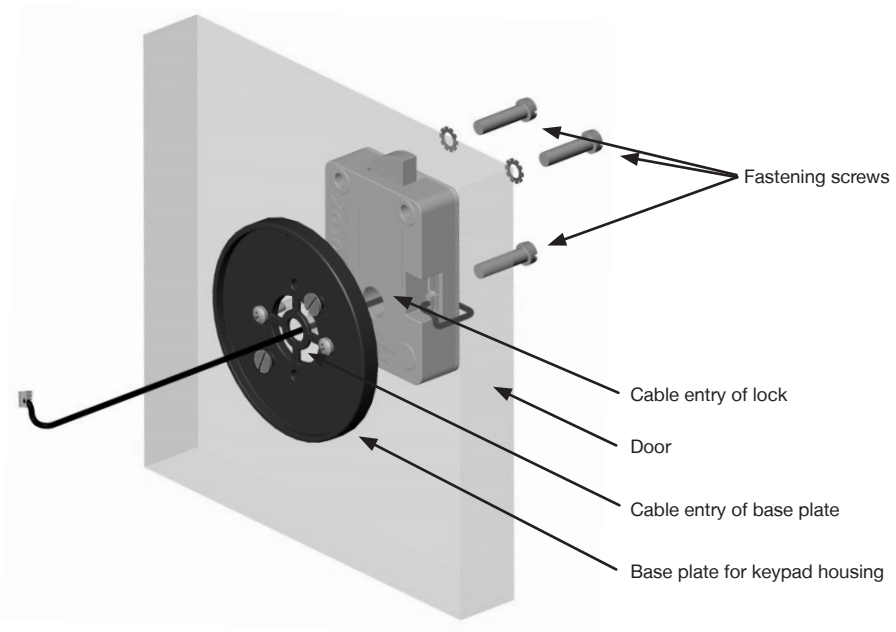
In any case, it is important to ensure that the hole is located centrally in the area of the lock located behind it, in the middle of the cable entry of the lock and always in the center of the base plate of the keypad.

Ensure that the connection cable is not squeezed during installation and the insulation is not damaged. (Fig. 2)

Pull the connecting cable through the cable entry of the lock and insert the plug of the cable into the matching plug socket on the lock. (Fig. 3)

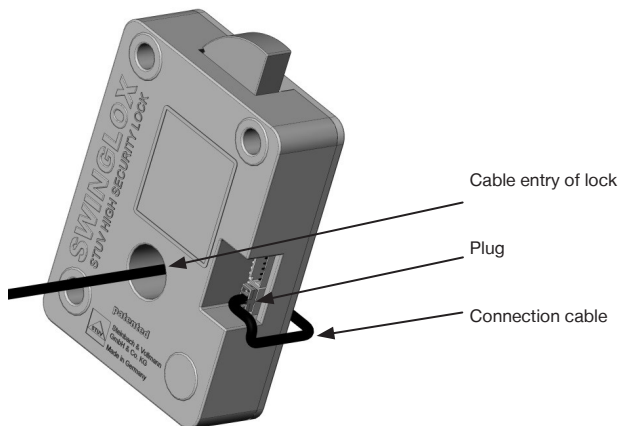
Then secure the lock to the bolt mechanism using three fastening screws. (Fig. 2)

Fig. 2



Installation

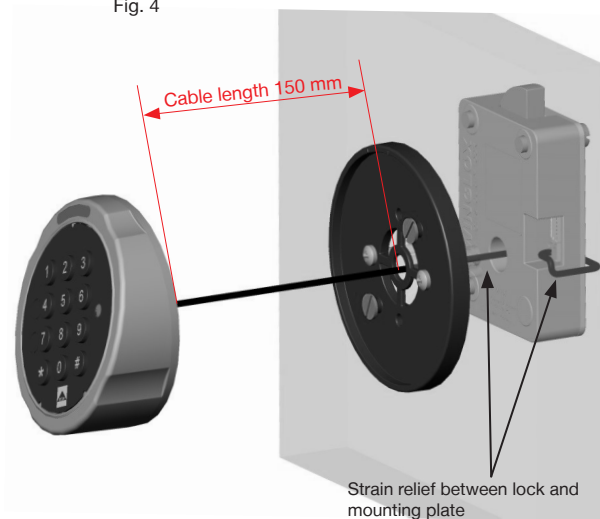
Fig. 3



A suitable strain relief for the connecting cable must be established between the plug connection of the lock and the mounting plate of the keyboard. This may be, for example, a cable fixer or something similar.

It is **important** that a sufficiently long piece of the connection cable (**min. 150 mm**) protrudes from the bore of the door, in order not to make the battery change unnecessarily difficult. (Fig. 4)

Fig. 4



Installation

Installation procedure Step 2

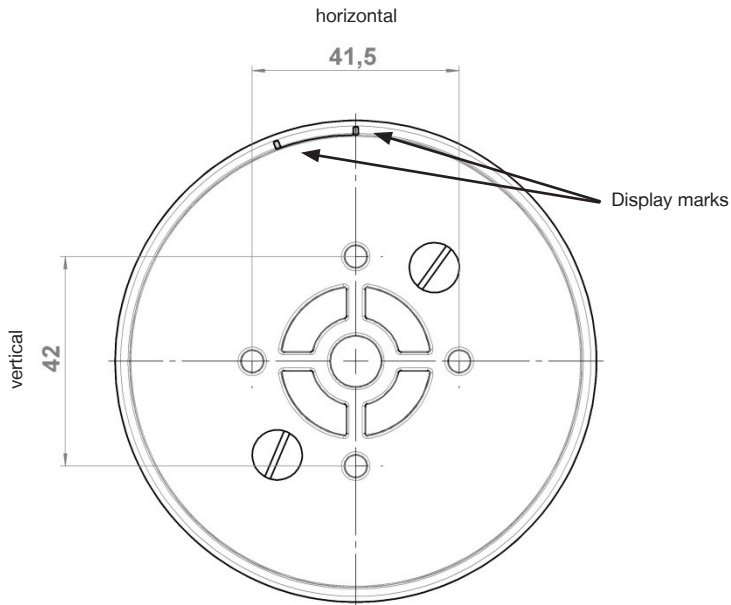
01 The keypad housing must be placed in the middle of the cable entry hole or the existing key hole.

Screw the mounting plate to the safe door. The base plate of the keypad must be securely screwed to the safety door using two screws (self-tapping screw DIN 7500 Form C M4 x 25 Cheese-head screws according to DIN 7985). The horizontal or vertical hole stencils can be used. (Fig. 5)

Care must be taken to ensure that the appropriate core hole diameters are inserted into the safe door for the respective screws.

ATTENTION ! The display marks must be at the top! (Fig. 5)

Fig. 5



Installation

- 02 Connect the connection cable „Lock - Keypad“ to the keypad. (Fig. 6)
- 03 Connect a battery (9V block 6LR61) to the battery contact. (Fig. 6 and Fig. 7)
- 04 Insert the battery into the lower part of the keyboard housing. (Fig. 8)
- 05 Place the keypad housing on the base plate. In this case, the marking of the keypad housing must be aligned with the display mark 1 of the base plate. (Fig. 9)

ATTENTION ! When installing the keypad housing, make sure that all cables are in the housing and that no cable is pinched between the housing and the base plate.

- 06 When the housing is placed flat on the base plate, turn the keypad housing clockwise until the marking of the keypad housing is aligned with marking 2 of the base plate. (Fig. 10)
- 07 The system is now ready for use.

ATTENTION! Check the proper operation according to the user manual with the door open.

Fig. 6

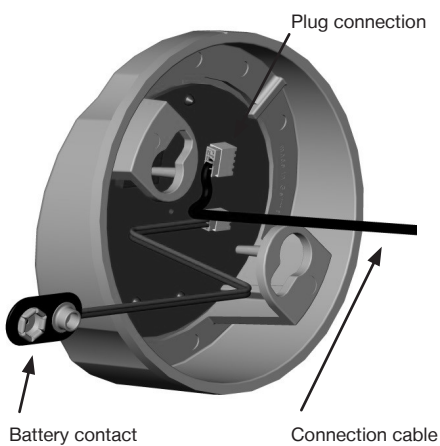
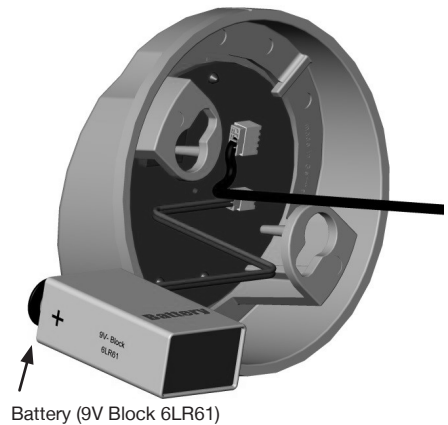


Fig. 7



Installation

Fig. 8

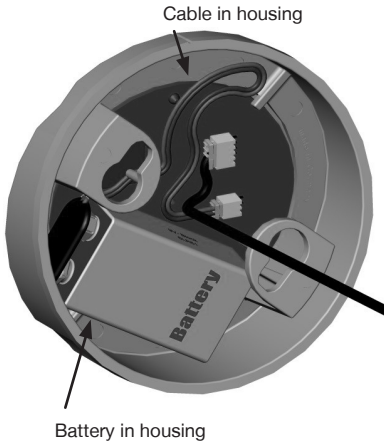


Fig. 9



ATTENTION: during assembly / disassembly of the keyboard housing make sure there is a exact match between the marking of the housing and the indicator marks 1 or 2.

Fig. 10





Kundendienst

CLAVIS Deutschland GmbH
Grüner Weg 38
34117 Kassel

Telefon: +49 (0)561 988 499-0
E-Mail: info@tresore.eu
Internet: www.tresore.eu
www.tresorschloss.de



Steinbach & Vollmann
GmbH & Co. KG

Parkstraße 11
42579 Heiligenhaus
Germany

Telefon +49 2056 14-0
Telefax +49 2056 14-251
E-Mail info@stuv.de
Internet www.stuv.de

04/2019 Printed in Germany - 6.00.2017.3

Zumutbare Abweichungen in Modellen und Farben sowie Änderungen zur Anpassung an den neuesten Stand der Technik und Produktion bleiben ausdrücklich vorbehalten.

Copyright © 2019 Steinbach & Vollmann

Dieses Handbuch darf weder als Ganzes noch in Auszügen ohne schriftliche Genehmigung von Steinbach & Vollmann reproduziert, vertrieben, übersetzt oder in anderer Art und Weise oder mit anderen Mitteln elektronischer oder mechanischer Art übertragen werden. Dies schließt Fotokopien, Aufzeichnungen oder Speichern in jedweder Art ein.