



CLAVIS Deutschland GmbH  
Grüner Weg 38  
34117 Kassel

Telefon: +49 (0)561 988 499-0  
E-Mail: info@tresore.eu  
Internet: www.tresore.eu  
www.tresorschloss.de

3009



#### Product Description

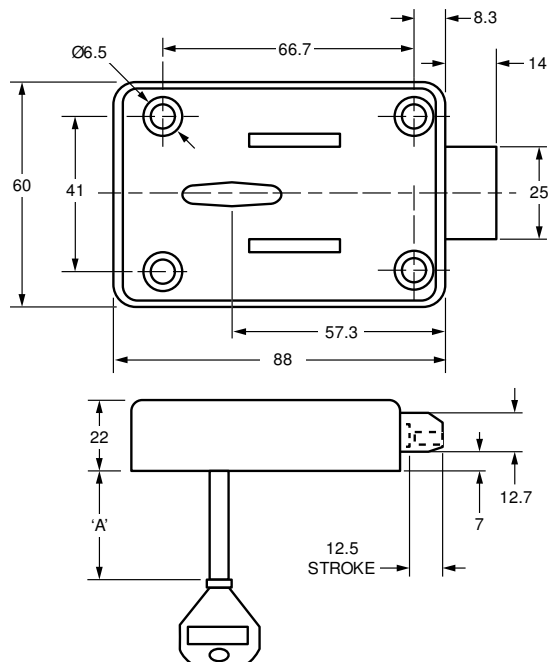
**8 Lever 10,000 Safe Lock**  
Standard movements: 6, 8  
Lock Combinations: 10,000  
Standard finish: Self colour

Double bitting key available in four lengths- 15, 40, 70 or 115mm  
Key retained: 3009060A, 3009080A  
Key removable: 3009160A, 3009180A  
Anti-pick levers fitted as standard  
High precision die cast and pressed steel components  
High strength bolt drilled and tapped as requested  
Can be keyed alike

#### Options

SKU	Key Series	Combinations	Body Length	Head Width	Head Height	Head Depth	Max Panel Thickness	Finish
3009060A	SR1	10,000	7	88	60	22	7.0	Self Colour
3009080A	SR1	10,000	7	88	60	22	7.0	Self Colour
3009160A	SR1	10,000	7	88	60	22	7.0	Self Colour
3009180A	SR1	10,000	7	88	60	22	7.0	Self Colour

#### Technical Drawing



A Lowe & Fletcher Group Company